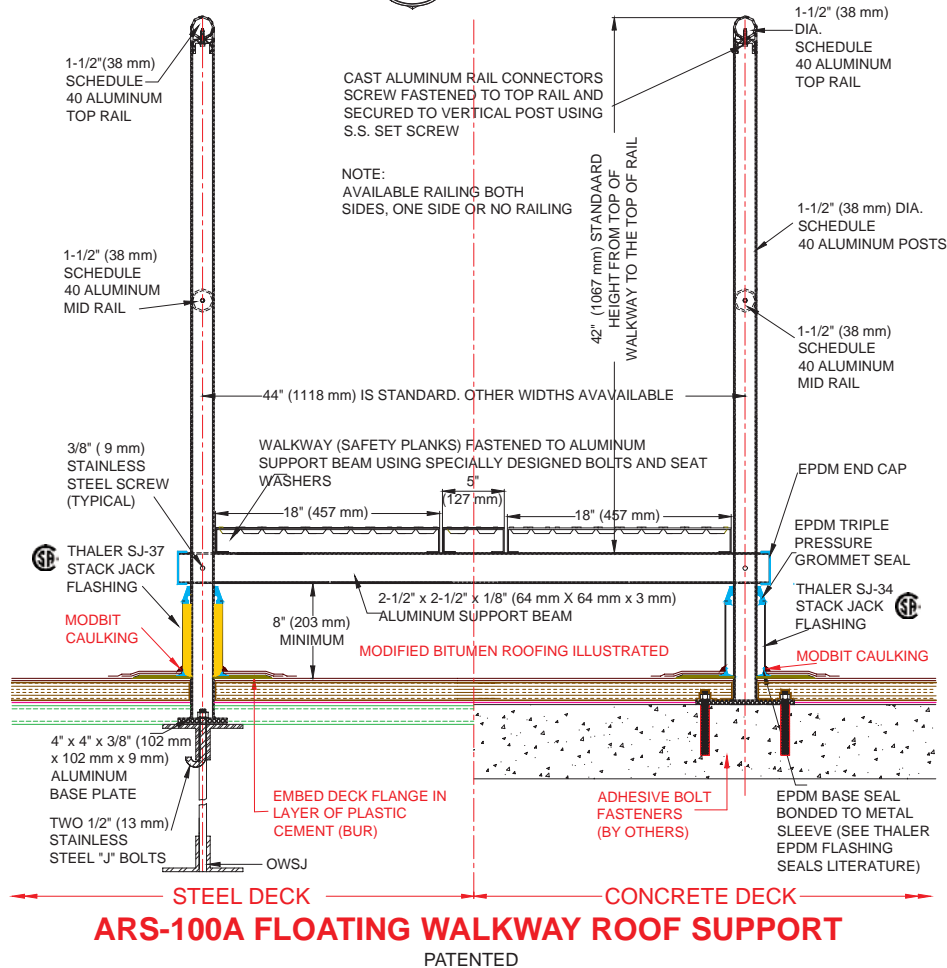
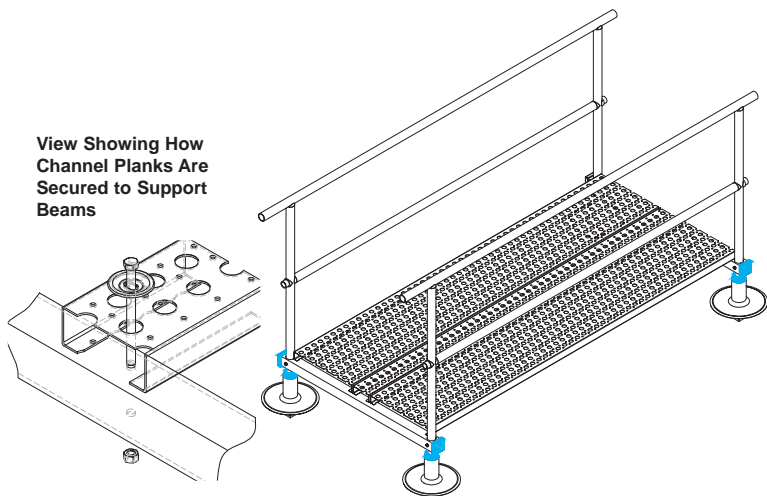


## ROOF SPECIALTIES ARS-100A FLOATING WALKWAY ROOF SUPPORTS

View Showing How Channel Planks Are Secured to Support Beams



### DESCRIPTION

Thaler ARS-100A Floating Walkway Roof Support consists of a round, hollow section mill finish aluminum railing with post mounting plates, and consisting of a 42" (1066 mm) high, 1-1/2" (38 mm) diameter Schedule 40 6061-T6 alloy aluminum pipe rail (optional), walkway safety channel planks fastened to support beams using specially designed bolts and seat washers, and a STACK JACK flashing which is available in aluminum, copper and stainless steel.

**Prominent Features:** Available in any width up to 72" (1830 mm) in a single span. Maintenance free (EPDM flashing seals never need caulking. See Thaler EPDM Flashing Seal literature.

**Options:** Railing both sides, one side or no railing. Chain link fence for fire route applications. See section A of manual for STACK JACK Flashing options. Can be combined with Thaler ARS-510 and ARS-520 Metal Stairs Supports.

### RECOMMENDED USE

Suitable for all flat roofs to provide access for maintenance, fire route, etc. as well as protect roof surface from traffic.

### APPROVALS

Thaler flashing employing EPDM Triple Pressure Grommet Seal is CSA Approved to CSA B272-93 (Prefabricated Self-Sealing Roof Vent Flashings). Railings conform to safety height and strength requirements.

### WARRANTY

20 year warranty against leaks, condensation and defects in materials and/or manufacture when installed in accordance with Thaler "Installation Instructions". Copy of Warranty Certificate available upon request

### MAINTENANCE

No maintenance required (maintenance free).

### SPECIFICATION (Short Form)

**Floating walkway roof supports:** Thaler ARS-100A, aluminum walkway of standard 44" (1118 mm) width [rail one side only]; 1-1/2" (38 mm) dia. post and rails including [4" x 4" x 3/8" (102 mm x 102 mm x 9 mm) [8" x 8" x 3/8" (203 mm x 203 mm x 9 mm)] post base plates, post height to suit with standard 42" (1066 mm) safety rail height from top of walkway to top of rail; 2-1/2" x 2-1/2" x 1/8" (64 mm x 64 mm x 3 mm) aluminum support beams [with EPDM end caps]; aluminum walkway anti-slip channel planks, two 18" (457 mm) wide and 5" (127 mm) wide centre plank; [ hot dipped galvanized chain link fence 2" (51 mm) x 9 ga. by others;] and [SJ-34 uninsulated][SJ-37 insulated], 7" (178 mm) high New-Standard STACK JACK flashing consisting of [.064" (1.6 mm) mill finish 1100-O1 alloy aluminum] [.031" (0.831 mm) 24 oz. copper] [.031" (0.79 mm) 22 ga. Type 304 stainless steel], 2" (51 mm) dia. to CSA B272-93; with EPDM Triple Pressure Grommet Seal and EPDM Base Seal and [PVC coated deck flange][bituminous painted deck flange]; manufactured by Thaler Metal Industries, 1-800-387-7217 (Mississauga, Ontario, Canada) or 1-800-576-1200 (New Braunfels, TX), installed as per manufacturer's written instructions. Provide standard 20 year warranty against leaks, condensation and defects in materials and/or manufacture.

### INSTALLATION

"Installation instructions" are provided with every Thaler product. Essentially, the Thaler ARS-100A Roof Support is installed at maximum 8'-0" (2440 mm) centres parallel to the walkway and by fastening the aluminum mounting plate to the structural roof deck, placing the STACK JACK flashing over the support and roof membrane, and as follows:

**BUR:** Set flashing deck flange in layer of plastic cement and flash in with 3 overlapping layers of felt flashing.

**ModBit:** Torch membrane until bitumen is fluid and set flashing deck flange into fluid. Flash in flange with two overlapping layers of ModBit and seal with asphalt sealer. Do not overheat (melt) EPDM Base Seal.

**Single Ply:** Set flashing deck flange in layer of membrane adhesive and extend single ply up sleeve to highest elevation possible and clamp membrane to STACK JACK Flashing. Note: for PVC membrane, specify PVC coated aluminum, etc. STACK JACK by adding suffix P to end of model number e.g. ARS-100A-P; weld roofing to deck flange using PVC torch.

**Precautions:** Apply an asphaltic or other type protective coating to aluminum STACK JACK Flashing to a height of 2" (51 mm) above a limestone ballast to avoid corrosive reaction. Also, if coating deck flange with a bituminous point on site, allow 24 hours for drying before applying roof membrane.

**Walkway/Rail Components:** Install post components and flashing, then fit support beams over posts and bolt beams to posts. Install planks using specially designed bolts and seat washers.

**Ordering:** Indicate distance required from bottom of walkway support beam to roof. Specify flashing material required by adding appropriate suffix to model number e.g. ARS-100A-P, for aluminum, etc. Available throughout North America. Contact Thaler for list of distributors and current cost information. Most products are available from stock.